

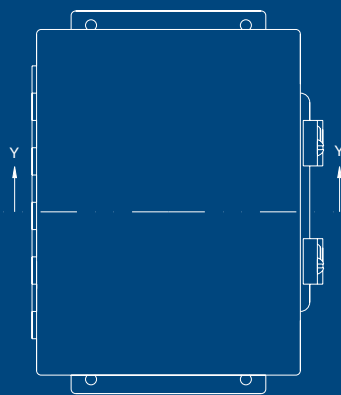
JIC CONTINUOUS HINGE BOXES

Austin JIC Continuous Hinge (JH) boxes are Underwriters Laboratories Listed and are designed for use as electrical junction boxes, terminal wiring boxes, and instruments housing. They provide a degree of protection against dust, dirt, spraying of water, oil, and noncorrosive liquids.

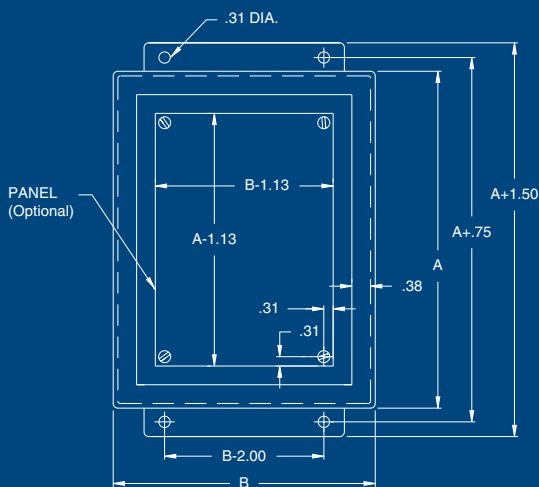
Construction:

- Fabricated in accordance with UL specifications from 14 gauge steel.
- Continuously welded seams ground smooth.
- Neoprene gasket attached to cover with oil resistant adhesive.
- Cover held in place by continuous hinge on one side and stainless steel external screw clamps on opposite side.
- External mounting feet.
- Enclosures that are 6x4x3 and over have stand-offs provided for mounting optional panel or terminal kit.

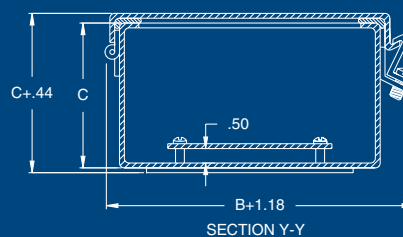
Type 4, 12 & 13
Oiltight
Enclosures



1 CLAMP USED WHEN "A" IS LESS THAN 8"



FRONT VIEW WITH NO COVER AND CLAMPS REMOVED



Finish:

Austin JIC Continuous Hinge boxes are provided standard with an ANSI 61 gray polyester powder coating. Optional panels are painted white.

Options:

- Special materials.
- Special finishes.
- Custom box size or construction.
- Hasp for padlocking.

**INDUSTRY
STANDARDS**

UL 50 **Type 12 & 13**
UL 508 **Type 12 & 13**
NEMA **Type 12 & 13**
CUL **Type 12 & 13**

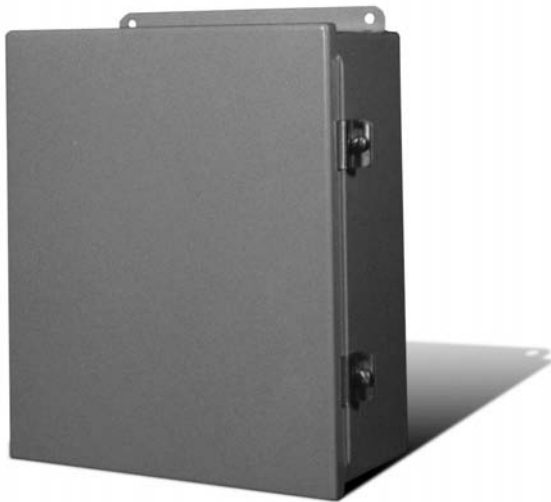
Austin Electrical Enclosures
Post Office Box 2320
Yadkinville, NC 27055

Phone: 336.468.2851
800.288.2851

JIC CONTINUOUS HINGE BOXES

| Catalog Number | Enclosure Size (AxBxC) | Weight | Panel Catalog Number | Catalog Number | Enclosure Size (AxBxC) | Weight | Panel Catalog Number |
|----------------|------------------------|--------|----------------------|----------------|------------------------|--------|----------------------|
| AB-443JH | 4x4x3 | 2 | NA | AB-866JH | 8x6x6 | 7 | AB-86JP |
| AB-643JH | 6x4x3 | 3 | AB-64JP | AB-1086JH | 10x8x6 | 10 | AB-108JP |
| AB-863.5JH | 8x6x3 1/2 | 5 | AB-86JP | AB-10106JH | 10x10x6 | 11 | AB-1010JP |
| AB-444JH | 4x4x4 | 2 | NA | AB-12126JH | 12x12x6 | 15 | AB-1212JP |
| AB-644JH | 6x4x4 | 3 | AB-64JP | AB-14126JH | 14x12x6 | 17 | AB-1412JP |
| AB-664JH | 6x6x4 | 4 | AB-66JP | AB-16146JH | 16x14x6 | 20 | AB-1614JP |
| AB-884JH | 8x8x4 | 7 | AB-88JP | AB-12108JH | 12x10x8 | 15 | AB-1210JP |
| AB-1084JH | 10x8x4 | 8 | AB-108JP | AB-14128JH | 14x12x8 | 19 | AB-1412JP |
| AB-1264JH | 12x6x4 | 8 | AB-126JP | AB-16148JH | 16x14x8 | 23 | AB-1614JP |
| AB-12105JH | 12x10x5 | 12 | AB-1210JP | AB-161410JH | 16x14x10 | 26 | AB-1614JP |

Type 4, 12 & 13
Oiltight
Enclosures



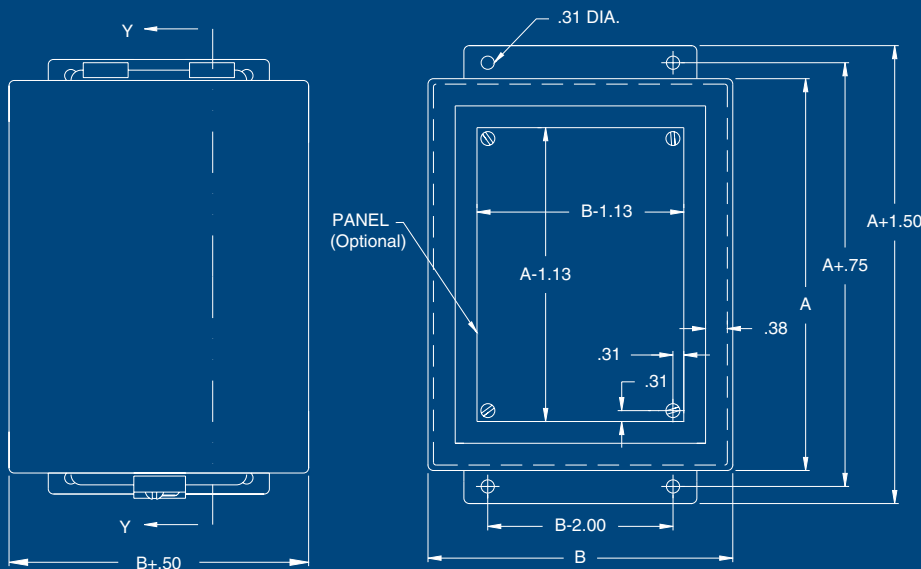
JIC LIFT-OFF HINGE BOXES

Austin JIC Lift-Off Hinge (JL) boxes are Underwriters Laboratories Listed and are designed for use as electrical junction boxes, terminal wiring boxes, and instruments housing. They provide a degree of protection against dust, dirt, spraying of water, oil, and noncorrosive liquids.

Construction:

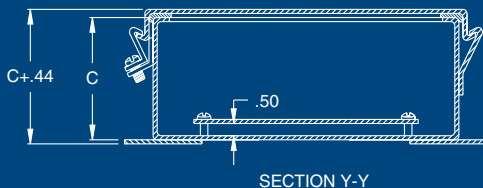
- Fabricated in accordance with UL specifications from 14 gauge steel.
- Continuously welded seams ground smooth.
- Neoprene gasket attached to cover with oil resistant adhesive.
- Cover held in place by stainless steel external screw clamps.
- Chain holds cover to box when cover is removed.
- Enclosures that are 6x4x3 and over have stand-offs provided for mounting optional panel.
- External mounting feet.

Type 4, 12 & 13
Ollight
Enclosures



COVER ATTACHED TO BOX BY SMALL CHAIN (NOT SHOWN). WHEN "B" = 8 OR MORE, 2 CLAMPS ARE USED AT THIS END

FRONT VIEW WITH NO COVER AND CLAMPS REMOVED



Finish:

Austin JIC Lift-Off Hinge boxes are provided standard with an ANSI 61 gray polyester powder coating. Optional panels are painted white.

Options:

- Special materials.
- Special finishes.
- Custom box size or construction.

**INDUSTRY
STANDARDS**

UL 50 **Type 12 & 13**
UL 508 **Type 12 & 13**
NEMA **Type 12 & 13**
CUL **Type 12 & 13**

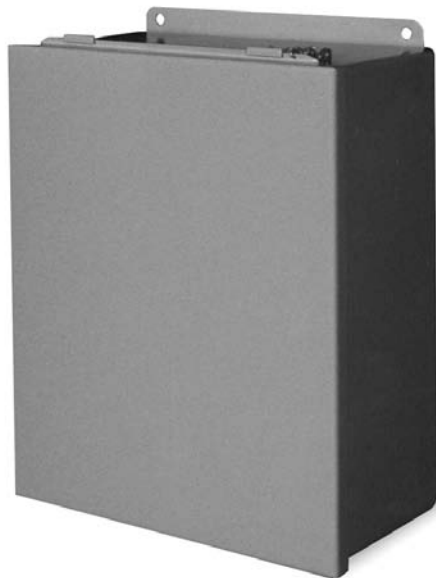
Austin Electrical Enclosures
Post Office Box 2320
Yadkinville, NC 27055

Phone: 336.468.2851
800.288.2851

JIC LIFT-OFF HINGE BOXES

| Catalog Number | Enclosure Size (AxBxC) | Weight | Panel Catalog Number |
|----------------|------------------------|--------|----------------------|
| AB-443JL | 4x4x3 | 2 | NA |
| AB-643JL | 6x4x3 | 3 | AB-64JP |
| AB-863.5JL | 8x6x3 1/2 | 5 | AB-86JP |
| AB-444JL | 4x4x4 | 5 | NA |
| AB-644JL | 6x4x4 | 2 | AB-64JP |
| AB-664JL | 6x6x4 | 3 | AB-66JP |
| AB-1084JL | 10x8x4 | 8 | AB-108JP |
| AB-12105JL | 12x10x5 | 12 | AB-1210JP |
| AB-14126JL | 14x12x6 | 16 | AB-1412JP |
| AB-16146JL | 16x14x6 | 21 | AB-1614JP |

Type 4, 12 & 13
Oiltight
Enclosures



JIC SCREW COVER BOXES

Austin JIC Screw Cover (JS) boxes are Underwriters Laboratories Listed and are designed for use as electrical junction boxes, terminal wiring boxes, and instruments housing. They are designed for indoor or outdoor use primarily to provide a degree of protection against windblown dust and rain, splashing water, hose directed water and damage from external ice formation.

Construction:

- Fabricated in accordance with UL specifications from 14 gauge steel.
- Neoprene gasket attached to cover with oil resistant adhesive.
- Cover attached with captivated screws threaded into sealed wells.
- Continuously welded seams ground smooth.
- External mounting feet.
- Enclosures that are 6x4x3 and over are provided with stand-offs for mounting optional panel.

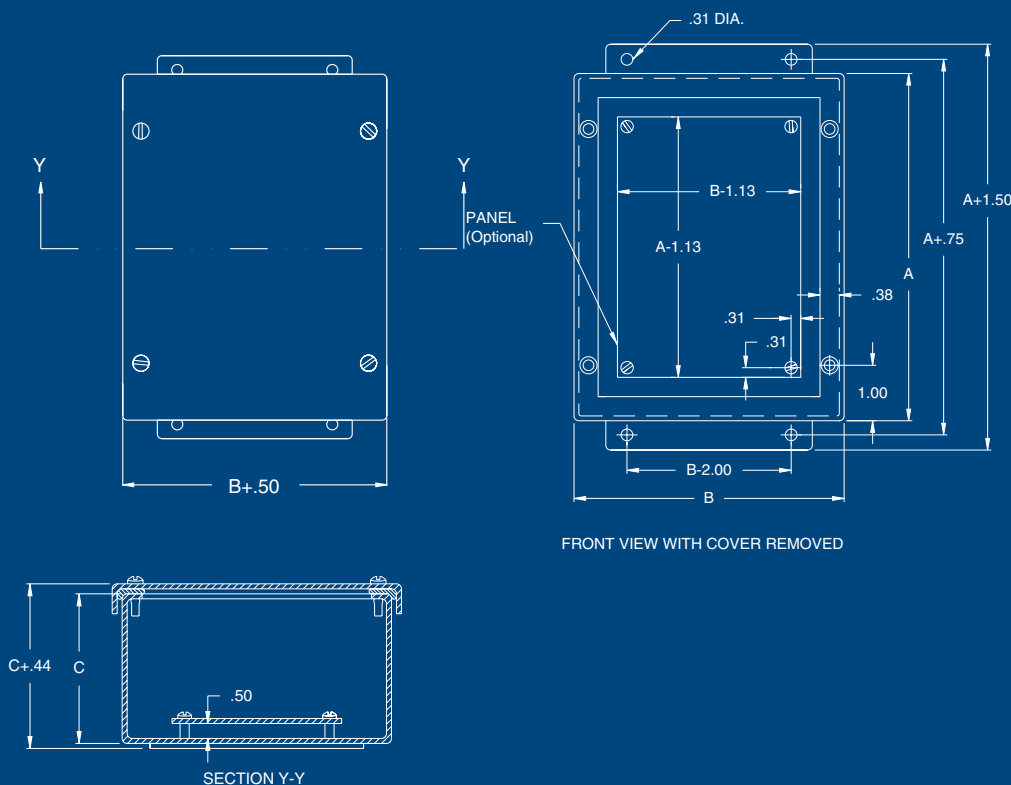
Type 4, 12 & 13
Oiltight
Enclosures

Finish:

Austin JIC Screw Cover boxes are provided standard with an ANSI 61 gray polyester powder coating. Optional panels are painted white.

Options:

- Special materials.
- Special finishes.
- Custom box size or construction.



**INDUSTRY
STANDARDS**

UL 50 **Type 4, 12 & 13**
 UL 508 **Type 4, 12 & 13**
 NEMA **Type 4, 12 & 13**
 CUL **Type 4, 12 & 13**

Austin Electrical Enclosures
 Post Office Box 2320
 Yadkinville, NC 27055

Phone: 336.468.2851
 800.288.2851

JIC SCREW COVER BOXES

| Catalog Number | Enclosure Size (AxBxC) | Weight | Panel Catalog Number |
|----------------|------------------------|--------|----------------------|
| AB-443JS | 4x4x3 | 2 | NA |
| AB-643JS | 6x4x3 | 3 | AB-64JP |
| AB-863.5JS | 8x6x3 1/2 | 5 | AB-86JP |
| AB444JS | 4x4x4 | 2 | NA |
| AB-644JS | 6x4x4 | 3 | AB-64JP |
| AB-664JS | 6x6x4 | 4 | AB-66JP |
| AB-884JS | 8x8x4 | 7 | AB-88JP |
| AB-1084JS | 10x8x4 | 8 | AB-108JP |
| AB-10104JS | 10x10x4 | 9 | AB-1010JP |
| AB-12105JS | 12x10x5 | 11 | AB-1210JP |
| AB-866JS | 8x6x6 | 7 | AB-86JP |
| AB-1086JS | 10x8x6 | 10 | AB-108JP |
| AB-10106JS | 10x10x6 | 11 | AB-1010JP |
| AB-12126JS | 12x12x6 | 15 | AB-1212JP |
| AB-14126JS | 14x12x6 | 16 | AB-1412JP |
| AB-16146JS | 16x14x6 | 20 | AB-1614JP |

Type 4, 12 & 13
Oiltight
Enclosures



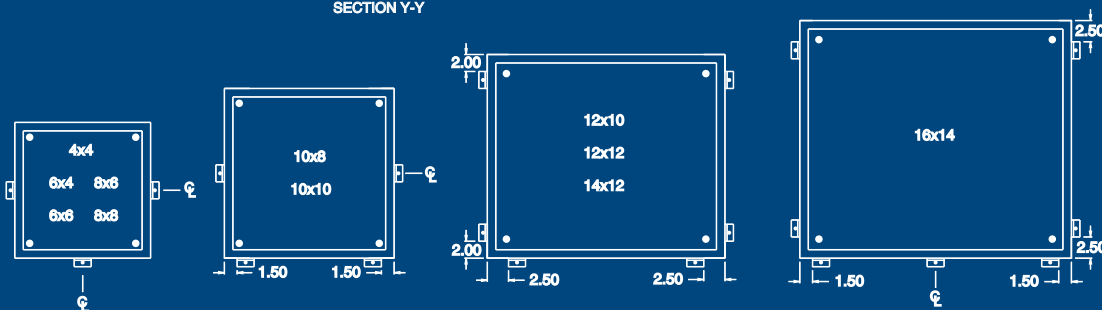
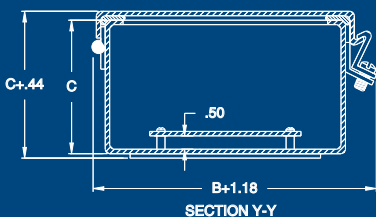
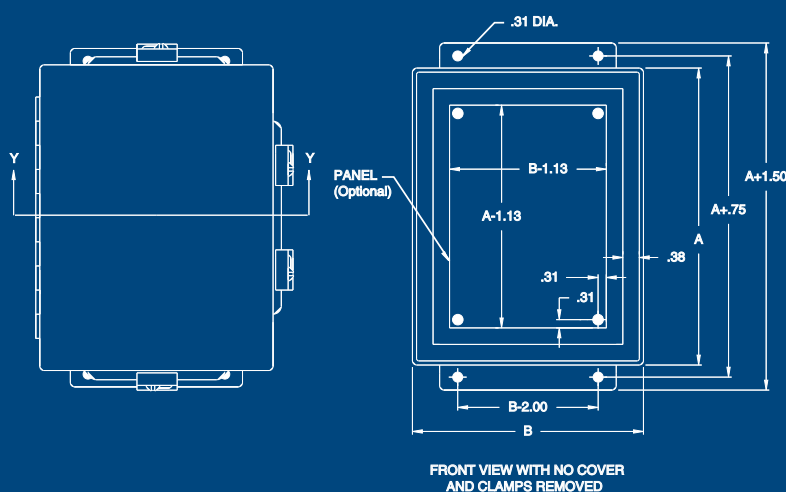
JIC NEMA 4 CONTINUOUS HINGE BOXES

Austin JIC Continuous Hinge NEMA 4 (JFH) boxes are Underwriters Laboratories Listed and are designed for use as electrical junction boxes, terminal wiring boxes, and instruments housing. They are designed for indoor or outdoor use primarily to provide a degree of protection against windblown dust and rain, splashing water, hose directed water and damage from external ice formation.

Construction:

- Fabricated in accordance with UL specifications from 14 gauge steel.
- Neoprene gasket attached to cover with oil resistant adhesive.
- Stainless steel external screw clamps on three sides.
- Stainless steel continuous hinge.
- Continuously welded seams ground smooth.
- External mounting feet.
- Enclosures that are 6x4x3 and over are provided with stand-offs for mounting optional panel.

Type 4, 12 & 13
Oiltight
Enclosures



Finish:

Austin JIC Continuous Hinge NEMA 4 boxes are provided standard with an ANSI 61 gray polyester powder coating. Optional panels are painted white.

Options:

- Special materials.
- Special finishes.
- Custom box size or construction.
- Hasp for padlocking.

**INDUSTRY
STANDARDS**

UL 50 Type 4, 12 & 13
UL 508 Type 4, 12 & 13
NEMA Type 4, 12 & 13
CUL Type 4, 12 & 13

Austin Electrical Enclosures
Post Office Box 2320
Yadkinville, NC 27055

Phone: 336.468.2851
800.288.2851

JIC NEMA 4 CONTINUOUS HINGE BOXES

| Catalog Number | Enclosure Size (AxBxC) | Weight | Panel Catalog Number |
|----------------|------------------------|--------|----------------------|
| AB-443JFH | 4x4x3 | 2 | NA |
| AB-643JFH | 6x4x3 | 3 | AB-64JP |
| AB-863.5JFH | 8x6x3 1/2 | 6 | AB-86JP |
| AB-664JFH | 6x6x4 | 4 | AB-66JP |
| AB-1084JFH | 10x8x4 | 9 | AB-108JP |
| AB-12105JFH | 12x10x5 | 13 | AB-1210JP |
| AB-10106JFH | 10x10x6 | 11 | AB-1010JP |
| AB-12126JFH | 12x12x6 | 15 | AB-1212JP |
| AB-14126JFH | 14x12x6 | 17 | AB-1412JP |
| AB-16146JFH | 16x14x6 | 20 | AB-1614JP |

Type 4, 12 & 13
Oiltight
Enclosures



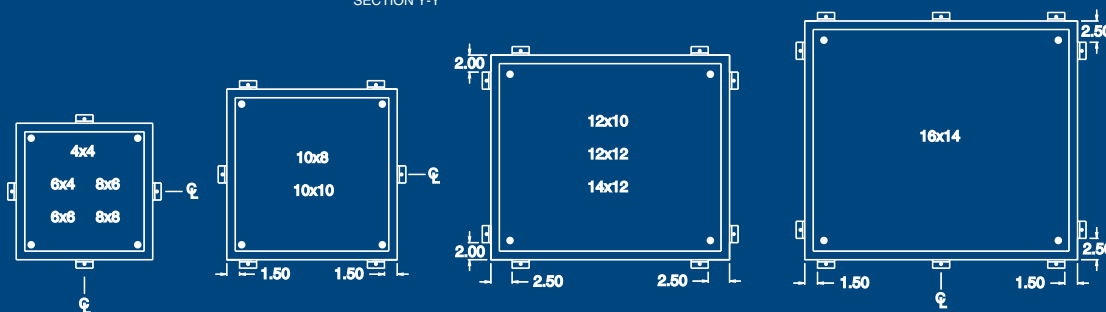
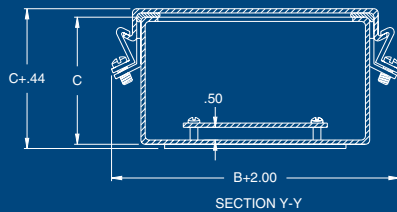
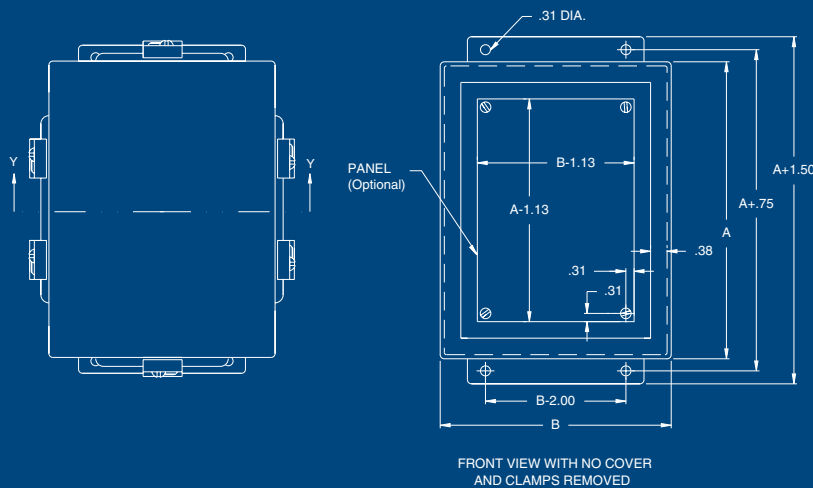
JIC NEMA 4 CLAMP COVER BOXES

Austin JIC Clamp Cover NEMA 4 (JFC) boxes are Underwriters Laboratories Listed and are designed for use as electrical junction boxes, terminal wiring boxes, and instruments housing. They are designed for indoor and outdoor use primarily to provide a degree of protection against windblown dust and rain, splashing water, hose directed water and damage from external ice formation.

Construction:

- Fabricated in accordance with UL specifications from 14 gauge steel.
- Continuously welded and ground smooth.
- Cover held in place by stainless steel external screw clamps all four sides.
- Neoprene gasket attached to cover with oil resistant adhesive.
- External mounting feet.
- Enclosures that are 6x4x3 and over have stand-offs provided for mounting optional panel.

Type 4, 12 & 13
Oiltight
Enclosures



Finish:

Austin JIC Clamp Cover NEMA 4 boxes are provided standard with an ANSI 61 gray polyester powder coating. Optional panels are painted white.

Options:

- Special materials.
- Special finishes.
- Custom box size or construction.

**INDUSTRY
STANDARDS**

UL 50 Type 4, 12 & 13
UL 508 Type 4, 12 & 13
NEMA Type 4, 12 & 13
CUL Type 4, 12 & 13

Austin Electrical Enclosures
Post Office Box 2320
Yadkinville, NC 27055

Phone: 336.468.2851
800.288.2851

JIC NEMA 4 CLAMP COVER BOXES

| Catalog Number | Enclosure Size (AxBxC) | Weight | Panel Catalog Number |
|----------------|------------------------|--------|----------------------|
| AB-443JFC | 4x4x3 | 2 | NA |
| AB-643JFC | 6x4x3 | 3 | AB-64JP |
| AB-863.5JFC | 8x6x3 1/2 | 6 | AB-86JP |
| AB-664JFC | 6x6x4 | 4 | AB-66JP |
| AB-1084JFC | 10x8x4 | 9 | AB-108JP |
| AB-12105JFC | 12x10x5 | 12 | AB-1210JP |
| AB-14126JFC | 14x12x6 | 17 | AB-1412JP |
| AB-16146JFC | 16x14x6 | 21 | AB-1614JP |

Type 4, 12 & 13
Oiltight
Enclosures



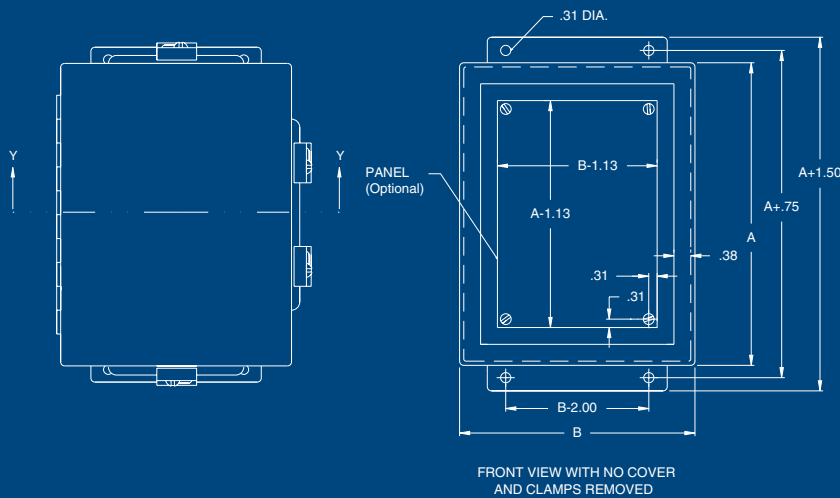
JIC NEMA 4X CONTINUOUS HINGE BOXES

Austin JIC Continuous Hinge NEMA 4X (JHFX) boxes are Underwriters Laboratories Listed and are designed for housing electrical components in highly corrosive environments. They are designed for indoor or outdoor use primarily to provide a degree of protection against corrosion, windblown dust and rain, splashing water, hose directed water and damage from external ice formation.

Construction:

- Fabricated in accordance with UL specifications from 14 gauge Type 304 stainless steel.
- Continuously welded seams ground smooth.
- Stainless steel external screw clamps.
- Stainless steel continuous hinge.
- Neoprene gasket attached to cover with oil resistant adhesive.
- External mounting feet.
- Enclosures that are 6x4x3 and over have stainless steel stand-offs provided for mounting optional panel.

Type 4, 12 & 13
Oiltight
Enclosures

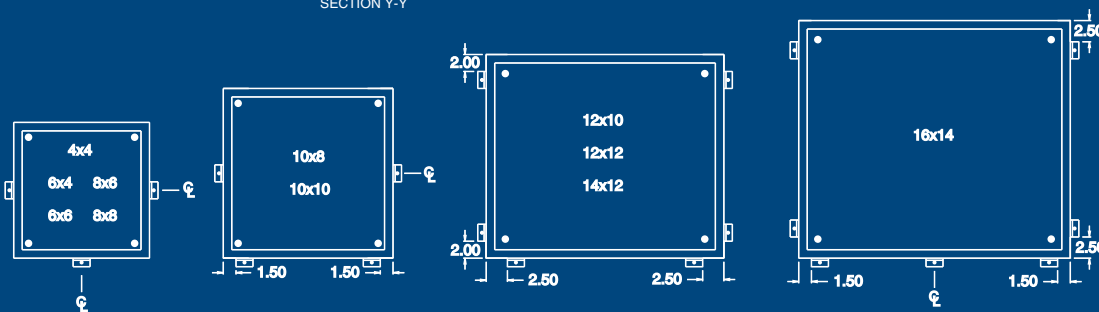


Finish:

Austin JIC Continuous Hinge NEMA 4X boxes are provided standard in Type 304 stainless steel. Optional panels are painted white or stainless steel panels are unpainted.

Options:

- Type 316 Stainless Steel.
- Custom box size or construction.
- Hasp for padlocking.



**INDUSTRY
STANDARDS**

UL 50 Types 4, 4X, 12 & 13
UL 508 Types 4, 4X, 12 & 13
NEMA Types 4, 4X, 12 & 13
CUL Types 4, 4X, 12 & 13

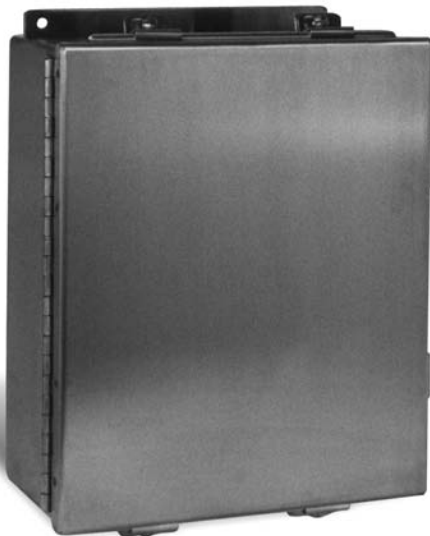
Austin Electrical Enclosures
Post Office Box 2320
Yadkinville, NC 27055

Phone: 336.468.2851
800.288.2851

JIC NEMA 4X CONTINUOUS HINGE BOXES

| Catalog Number | Enclosure Size (AxBxC) | Weight | Panel Catalog Number |
|----------------|------------------------|--------|----------------------|
| AB-863.5JHFX | 8x6x3 1/2 | 6 | AB-86JP |
| AB-664JHFX | 6x6x4 | 5 | AB-66JP |
| AB-884JHFX | 8x8x4 | 7 | AB-88JP |
| AB-1084JHFX | 10x8x4 | 9 | AB-108JP |
| AB-12105JHFX | 12x10x5 | 13 | AB-1210JP |
| AB-14126JHFX | 14x12x6 | 17 | AB-1412JP |
| AB-16146JHFX | 16x14x6 | 20 | AB-1614JP |

Type 4, 12 & 13
Oiltight
Enclosures



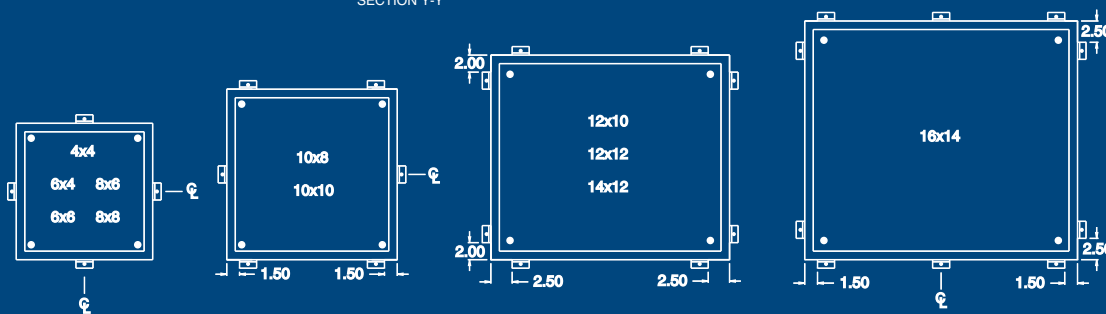
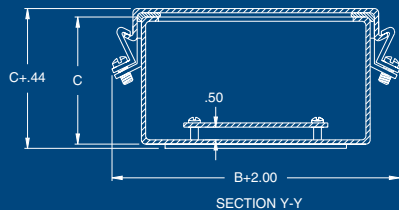
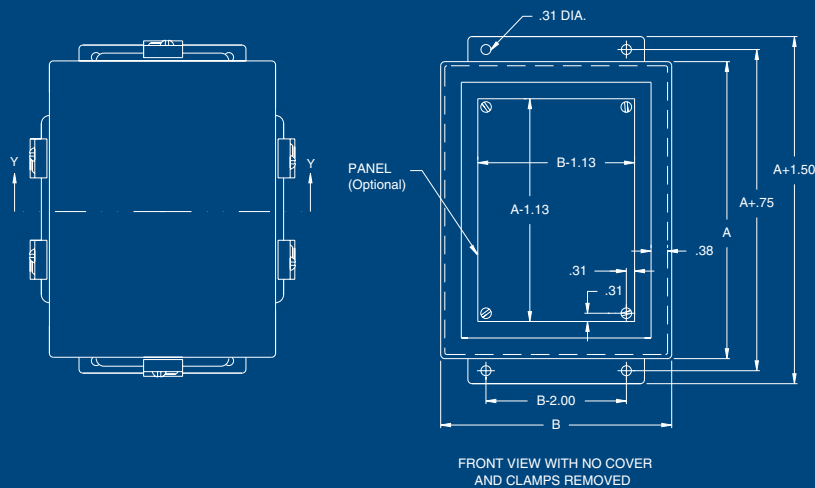
JIC NEMA 4X CLAMP COVER BOXES

Austin JIC Clamp Cover NEMA 4X (JFCX) boxes are Underwriters Laboratories Listed and are designed for housing electrical components in highly corrosive environments. They are designed for indoor or outdoor use primarily to provide a degree of protection against corrosion, windblown dust and rain, splashing water, hose directed water and damage from external ice formation.

Construction:

- Fabricated in accordance with UL specifications from 14 gauge Type 304 stainless steel.
- Continuously welded seams and ground smooth.
- Neoprene gasket attached to cover with oil resistant adhesive.
- Cover held in place by stainless steel external screw clamps.
- External mounting feet.
- Enclosures that are 6x4x3 and over have stainless steel stand-offs provided for mounting optional panel.

Type 4, 12 & 13
Oiltight
Enclosures



Finish:

Austin JIC Clamp Cover NEMA 4X boxes are provided standard in Type 304 stainless steel. Optional panels are painted white or stainless steel panels are unpainted.

Options:

- Type 316 Stainless Steel.
- Custom box size or construction.

**INDUSTRY
STANDARDS**

UL 50 Types 4, 4X, 12 & 13
 UL 508 Types 4, 4X, 12 & 13
 NEMA Types 4, 4X, 12 & 13
 CUL Types 4, 4X, 12 & 13

Austin Electrical Enclosures
 Post Office Box 2320
 Yadkinville, NC 27055

Phone: 336.468.2851
 800.288.2851

JIC NEMA 4X CLAMP COVER BOXES

| Catalog Number | Enclosure Size (AxBxC) | Weight | Panel Catalog Number |
|----------------|------------------------|--------|----------------------|
| AB-863.5JFCX | 8x6x3 1/2 | 6 | AB-86JP |
| AB-664JFCX | 6x6x4 | 5 | AB-66JP |
| AB-884JFCX | 8x8x4 | 7 | AB-88JP |
| AB-1084JFCX | 10x8x4 | 9 | AB-108JP |
| AB-12105JFCX | 12x10x5 | 13 | AB-1210JP |
| AB-12126JFCX | 12x12x6 | 15 | AB-1212JP |
| AB-14126JFCX | 14x12x6 | 17 | AB-1412JP |
| AB-16146JFCX | 16x14x6 | 20 | AB-1614JP |

Type 4, 12 & 13
Oiltight
Enclosures



JIC ALUMINUM CONTINUOUS HINGE BOXES

Austin JIC Continuous Hinge aluminum (JHA) boxes are Underwriters Laboratories Listed and are designed for use as electrical junction boxes, terminal wiring boxes, and instruments housing. They provide a degree of protection against dust, dirt, spraying of water, oil, and noncorrosive liquids.

Construction:

- Fabricated in accordance with UL specifications from code gauge Type 5052 H-32 aluminum.
- Cover held in place by external screw clamps and aluminum continuous hinge.
- Continuously welded seams ground smooth.
- Neoprene gasket attached to cover with oil resistant adhesive.
- External mounting feet.
- Enclosures that are 6x4x3 and over have aluminum stand-offs provided for mounting optional panel.

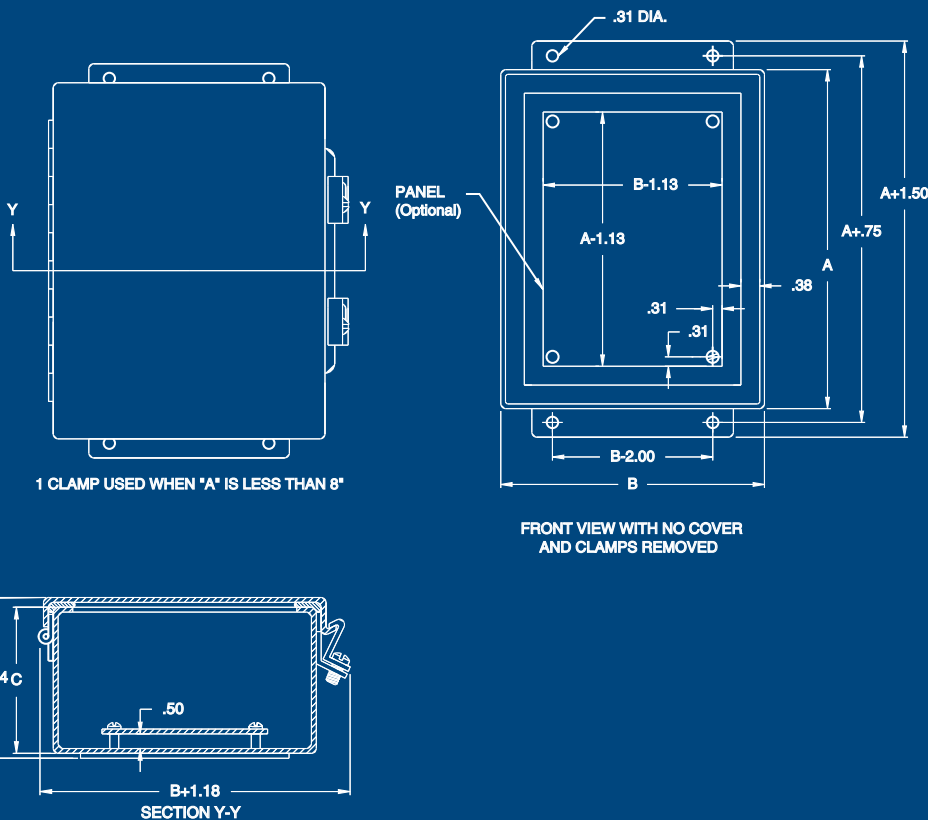
Type 4, 12 & 13
Oiltight
Enclosures

Finish:

Austin JIC continuous hinge aluminum boxes are provided standard in Type 5052 H-32 aluminum. Optional aluminum panels are unpainted and optional steel panels are painted white.

Options:

- Custom box size or construction.
- Hasp for padlocking.



**INDUSTRY
STANDARDS**

UL 50 **Type 12 & 13**
 UL 508 **Type 12 & 13**
 NEMA **Type 12 & 13**
 CUL **Type 12 & 13**

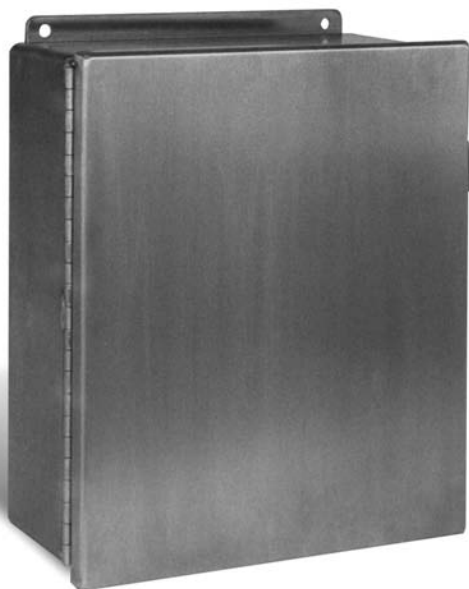
Austin Electrical Enclosures
 Post Office Box 2320
 Yadkinville, NC 27055

Phone: 336.468.2851
 800.288.2851

JIC ALUMINUM CONTINUOUS HINGE BOXES

| Catalog Number | Enclosure Size (AxBxC) | Weight | Panel Catalog Number |
|----------------|------------------------|--------|----------------------|
| AB-643JHA | 6X4X3 | 3 | AB-64JP |
| AB-863.5JHA | 8x6x3 1/2 | 2 | AB-86JP |
| AB-664JHA | 6x6x4 | 2 | AB-66JP |
| AB-1084JHA | 10x8x4 | 3 | AB-108JP |
| AB-12105JHA | 12x10x5 | 5 | AB-1210JP |
| AB-14126JHA | 14x12x6 | 7 | AB-1412JP |
| AB-16146JHA | 16x14x6 | 9 | AB-1614JP |

Type 4, 12 & 13
Oiltight
Enclosures



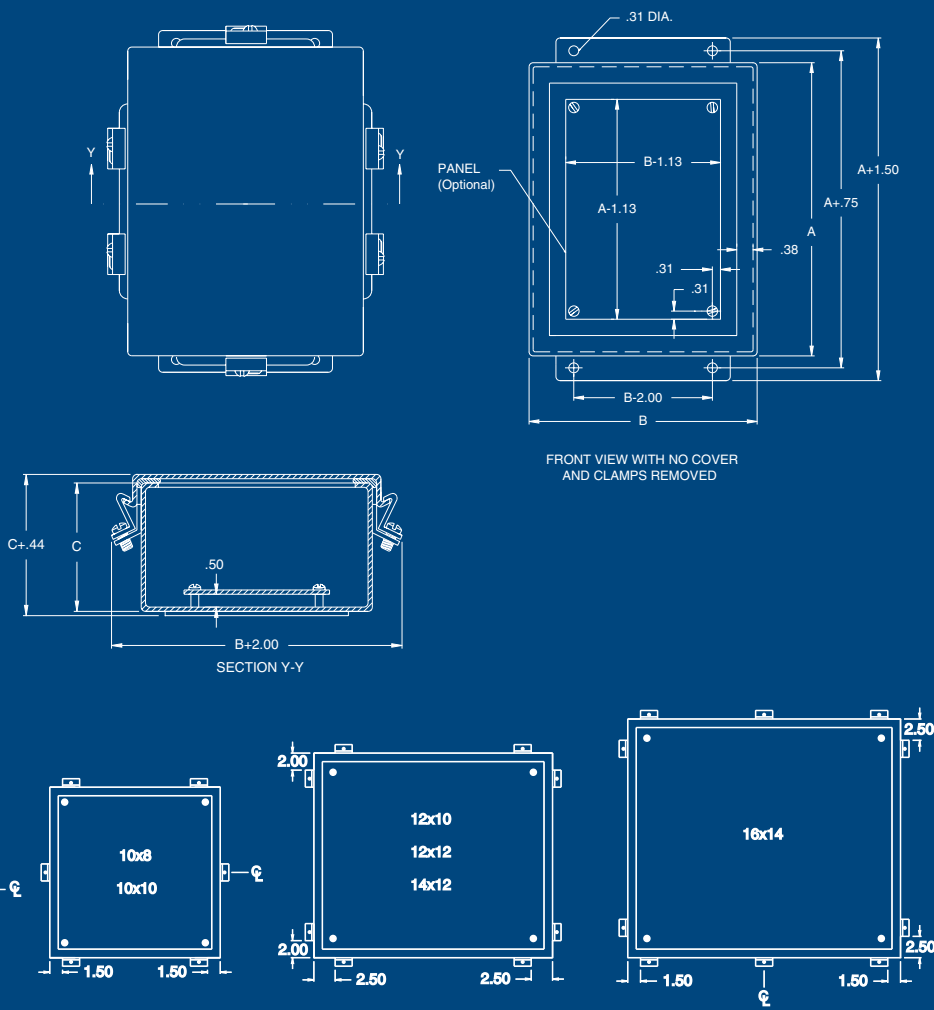
JIC NEMA 4X ALUMINUM CLAMP COVER BOXES

Austin JIC Clamp Cover NEMA 4X aluminum (JCA) boxes are Underwriters Laboratories Listed and are designed for use as electrical junction boxes, terminal wiring boxes, and instruments housing. They are designed for indoor or outdoor use primarily to provide a degree of protection against windblown dust and rain, splashing water, hose directed water, and damage from external ice formation.

Construction:

- Fabricated in accordance with UL specifications from code gauge Type 5052 H-32 aluminum.
- Cover is held in place by external screw clamps on all four sides.
- Continuously welded seams ground smooth.
- Neoprene gasket attached to cover with oil resistant adhesive.
- External mounting feet.
- Enclosures that are 6x4x3 and over have aluminum stand-offs provided for mounting optional panel.

Type 4, 12 & 13
Oiltight
Enclosures



Finish:

Austin JIC Clamp Cover NEMA 4X aluminum boxes are provided standard in Type 5052 H-32 aluminum. Optional aluminum panels are unpainted and optional steel panels are painted white.

Options:

- Custom box size or construction.

INDUSTRY STANDARDS

UL 50 Types 4, 4X, 12 & 13
 UL 508 Types 4, 4X, 12 & 13
 NEMA Types 4, 4X, 12 & 13
 CUL Types 4, 4X, 12 & 13

Austin Electrical Enclosures
 Post Office Box 2320
 Yadkinville, NC 27055

Phone: 336.468.2851
 800.288.2851

JIC NEMA 4X ALUMINUM CLAMP COVER BOXES

| Catalog Number | Enclosure Size (AxBxC) | Weight | Panel Catalog Number |
|----------------|------------------------|--------|----------------------|
| AB-863.5JCA | 8x6x3 1/2 | 2 | AB-86JP |
| AB-664JCA | 6x6x4 | 2 | AB-66JP |
| AB-1084JCA | 10x8x4 | 3 | AB-108JP |
| AB-12106JCA | 12x10x6 | 5 | AB-1210JP |
| AB-14126JCA | 14x12x6 | 7 | AB-1412JP |
| AB-16146JCA | 16x14x6 | 9 | AB-1614JP |

Type 4, 12 & 13
Oiltight
Enclosures



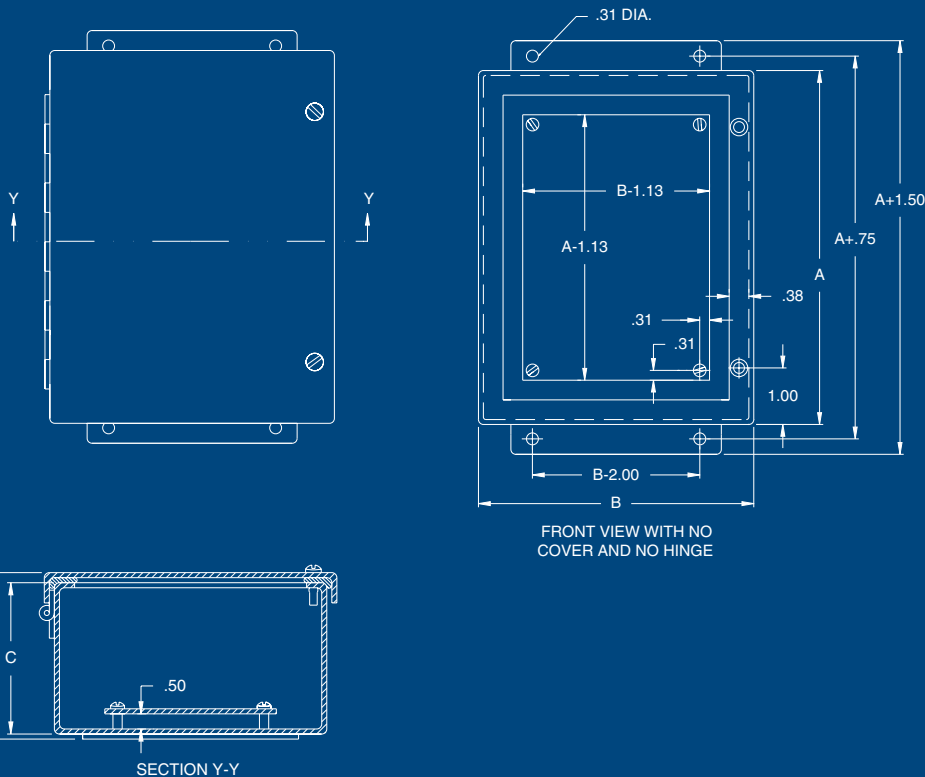
SMALL OILTIGHT ENCLOSURES

Austin small oiltight (STE) enclosures are Underwriters Laboratories Listed and are designed for use as electrical junction boxes, terminal wiring boxes, and instruments housing. They provide a degree of protection against dust, dirt, spraying of water, oil, and noncorrosive liquids.

Construction:

- Fabricated from 14 gauge steel.
- Door attached by continuous hinge and captivated screws threaded into sealed wells.
- Neoprene gasket attached to door with oil resistant adhesive.
- External mounting feet.
- Stand-offs provided for mounting optional panel.
- Continuously welded seams ground smooth.

Type 4, 12 & 13
Oiltight
Enclosures



Finish:

Austin small oiltight enclosures are provided standard with an ANSI 61 gray polyester powder coating. Optional panels are painted white.

Options:

- Special materials.
- Special finishes.
- Custom box size or construction.
- Hasp for padlocking.

**INDUSTRY
STANDARDS**

UL 50 **Type 12 & 13**
 UL 508 **Type 12 & 13**
 NEMA **Type 12 & 13**
 CUL **Type 12 & 13**

Austin Electrical Enclosures
 Post Office Box 2320
 Yadkinville, NC 27055

Phone: 336.468.2851
 800.288.2851

SMALL OILTIGHT ENCLOSURES

| Catalog Number | Enclosure Size (AxBxC) | Weight | Panel Catalog Number |
|----------------|------------------------|--------|----------------------|
| AB-664STE | 6x6x4 | 4 | AB-66JP |
| AB-864STE | 8x6x4 | 5 | AB-86JP |
| AB-884STE | 8x8x4 | 6 | AB-88JP |
| AB-1084STE | 10x8x4 | 7 | AB-108JP |
| AB-10104STE | 10x10x4 | 8 | AB-1010JP |
| AB-12104STE | 12x10x4 | 10 | AB-1210JP |
| | | | |
| AB-866STE | 8x6x6 | 7 | AB-86JP |
| AB-886STE | 8x8x6 | 8 | AB-88JP |
| AB-1086STE | 10x8x6 | 9 | AB-108JP |
| AB-10106STE | 10x10x6 | 10 | AB-1010JP |
| AB-12106STE | 12x10x6 | 12 | AB-1210JP |
| AB-12126STE | 12x12x6 | 14 | AB-1212JP |
| AB-14126STE | 14x12x6 | 16 | AB-1412JP |

Type 4, 12 & 13
Oiltight
Enclosures



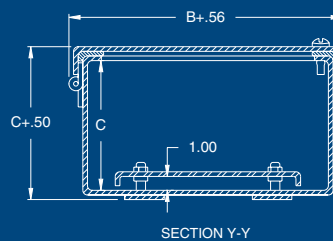
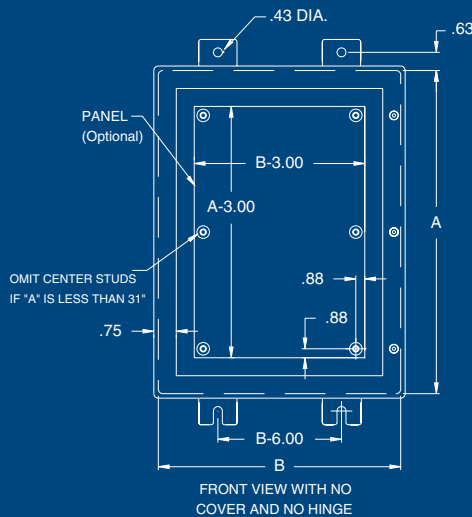
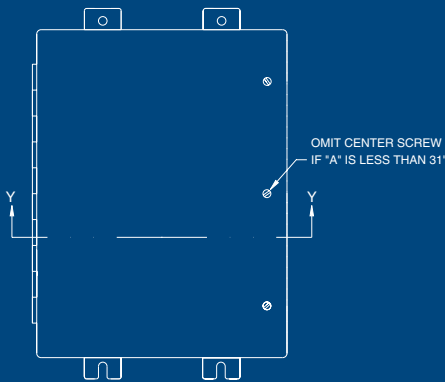
LARGE OILTIGHT ENCLOSURES

Austin large oiltight (JXL) enclosures are Underwriters Laboratories Listed and are designed to house electrical controls, instruments, and terminals. They provide a degree of protection against dust, dirt, spraying of water, oil, and noncorrosive liquids.

Construction:

- Fabricated in accordance with UL specifications from code gauge steel.
- Continuously welded seams ground smooth.
- Door attached by continuous hinge and captivated screws threaded into sealed wells.
- Neoprene gasket attached to door with oil resistant adhesive.
- Standard plastic self-adhesive print pocket.
- Standard collar studs provided for mounting optional panel.
- External mounting feet.

Type 4, 12 & 13
Oiltight
Enclosures



Finish:

Austin large oiltight enclosures are provided standard with an ANSI 61 gray polyester powder coating. Optional panels are painted white.

Options:

- Special materials.
- Special finishes.
- Custom box size or construction.

INDUSTRY STANDARDS

UL 50 **Type 12 & 13**
UL 508 **Type 12 & 13**
NEMA **Type 12 & 13**
CUL **Type 12 & 13**

Austin Electrical Enclosures
Post Office Box 2320
Yadkinville, NC 27055

Phone: 336.468.2851
800.288.2851

LARGE OILTIGHT ENCLOSURES

| Catalog Number | Enclosure Size (AxBxC) | Weight | Panel Catalog Number | Catalog Number | Enclosure Size (AxBxC) | Weight | Panel Catalog Number |
|----------------|------------------------|--------|----------------------|----------------|------------------------|--------|----------------------|
| AB-20167JXL | 20x16x7 | 31 | AB-2016TP | AB-30249JXL | 30x24x9 | 66 | AB-3024TP |
| AB-20207JXL | 20x20x7 | 36 | AB-2020TP | AB-36249JXL | 36x24x9 | 76 | AB-3624TP |
| AB-24207JXL | 24x20x7 | 41 | AB-2420TP | AB-36309JXL | 36x30x9 | 90 | AB-3630TP |
| AB-24247JXL | 24x24x7 | 48 | AB-2424TP | AB-42309JXL | 42x30x9 | 102 | AB-4230TP |
| AB-30207JXL | 30x20x7 | 49 | AB-3020TP | AB-42369JXL | 42x36x9 | 121 | AB-4236TP |
| AB-30247JXL | 30x24x7 | 58 | AB-3024TP | | | | |
| AB-36247JXL | 36x24x7 | 66 | AB-3624TP | AB-242411JXL | 24x24x11 | 57 | AB-2424TP |
| | | | | AB-362411JXL | 36x24x11 | 80 | AB-3624TP |
| AB-20169JXL | 20x16x9 | 35 | AB-2016TP | AB-483611JXL | 48x36x11 | 155 | AB-4836TP |
| AB-20209JXL | 20x20x9 | 36 | AB-2020TP | | | | |
| AB-24209JXL | 24x20x9 | 47 | AB-2420TP | | | | |
| AB-24249JXL | 24x24x9 | 52 | AB-2424TP | AB-302413JXL | 30x24x13 | 72 | AB-3024TP |
| AB-30209JXL | 30x20x9 | 54 | AB-3020TP | AB-363013JXL | 36x30x13 | 104 | AB-3630TP |

Type 4, 12 & 13
Oiltight
Enclosures

