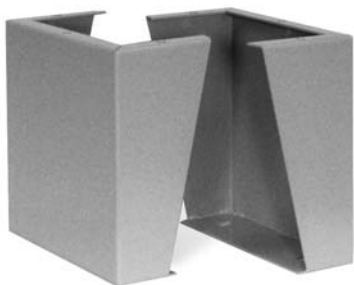


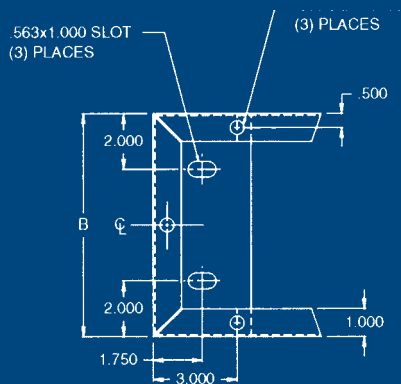
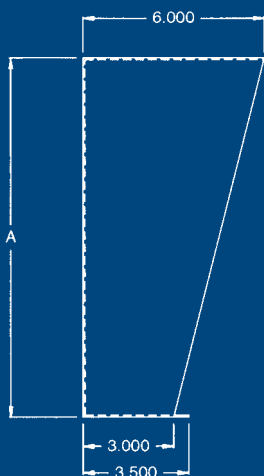
# AUSTIN FLOOR STAND KITS

Austin Floor Stand Kits can be installed easily on Austin NEMA 4, 4X, and 12 single and double door enclosures. To install Floor Stand Kits, drill holes in bottom of enclosure and bolt on. Each kit includes two stands and is fabricated from 10 gauge steel with an ANSI 61 gray polyester powder coating or 12 gauge Type 304 stainless steel.



Catalog Number	Stainless Steel Catalog Number	Floor Stand Height	Depth of Enclosure "C" Dimension	Weight
AB-6SK8	AB-6SK8SS	6	8	16
AB-6SK10	AB-6SK10SS	6	10	17
AB-6SK12	AB-6SK12SS	6	12	18
AB-12SK8	AB-12SK8SS	12	8	23
AB-12SK10	AB-12SK10SS	12	10	26
AB-12SK12	AB-12SK12SS	12	12	32
AB-12SK16	AB-12SK16SS	12	16	35
AB-12SK20	AB-12SK20SS	12	20	42
AB-18SK8	AB-18SK8SS	18	8	32
AB-18SK10	AB-18SK10SS	18	10	36
AB-18SK12	AB-18SK12SS	18	12	41
AB-18SK16	AB-18SK16SS	18	16	47
AB-24SK8	AB-24SK8SS	24	8	40
AB-24SK10	AB-24SK10SS	24	10	45
AB-24SK12	AB-24SK12SS	24	12	50
AB-24SK16	AB-24SK16SS	24	16	58

Accessories



Austin Electrical Enclosures  
Post Office Box 2320  
Yadkinville, NC 27055

Phone: 336.468.2851  
800.288.2851