

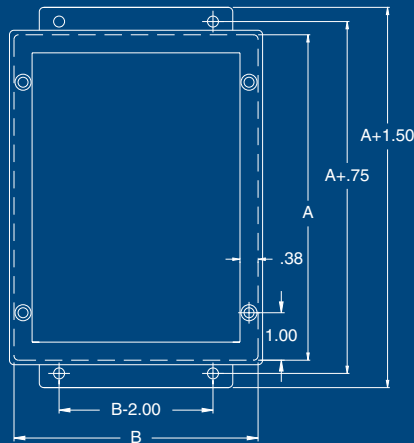
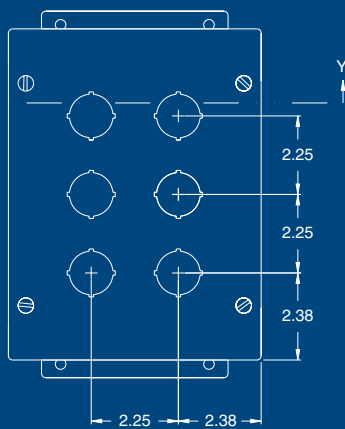
# AUSTIN NEMA 4X PUSHBUTTON ENCLOSURES

Austin NEMA 4X pushbutton enclosures are Underwriters Laboratories Listed and are designed to house oiltight switches, pilot lights, and pushbutton switches. They provide a degree of protection against corrosion, windblown dust and rain, splashing water, hose directed water, and damage from external ice formation. They are also designed for use in areas where corrosion is a serious problem.

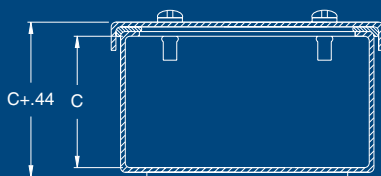
## Construction:

- Fabricated from 14 gauge Type 304 steel.
- Cover is held in place by captivated screws threaded into sealed wells.
- Continuously welded seams and ground smooth.
- Neoprene gasket attached to cover with oil resistant adhesive.
- External mounting feet.
- Standard “4-way” 30mm pushbutton holes.

Pushbutton Enclosures & Consoles

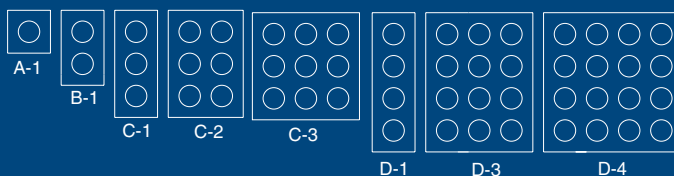


FRONT VIEW WITH COVER REMOVED



SECTION Y-Y

### HOLE ARRANGEMENT



## Finish:

Austin NEMA 4X pushbutton enclosures are provided standard in Type 304 stainless steel.

## Options:

- Type 316 stainless steel.
- Custom box size or construction.
- “4-way” 22mm pushbutton holes.

**INDUSTRY  
STANDARDS**

UL 50 **Types 4, 12 & 13**  
NEMA **Types 4, 12 & 13**  
CUL **Types 4, 12 & 13**

Austin Electrical Enclosures  
Post Office Box 2320  
Yadkinville, NC 27055

Phone: 336.468.2851  
800.288.2851

# AUSTIN NEMA 4X PUSHBUTTON ENCLOSURES

Catalog Number	Enclosure Size (AxBxC)	Holes	Hole Arrangement	Weight
AB-A1FPB	3 1/2x3 1/2x3	1	A-1	2
AB-B1FPB	6 3/4x3 1/2x3	2	B-1	2
AB-C1FPB	9x3 1/2x3	3	C-1	3
AB-C2FPB	9x6 3/4x3	6	C-2	6
AB-C3FPB	9x9x3	9	C-3	7
AB-D1FPB	11 1/4x3 1/2x3	4	D-1	4
AB-D3FPB	11 1/4x9x3	12	D-3	8
AB-D4FPB	11 1/4x11 1/4x3	16	D-4	10

Pushbutton  
Enclosures &  
Consoles

