

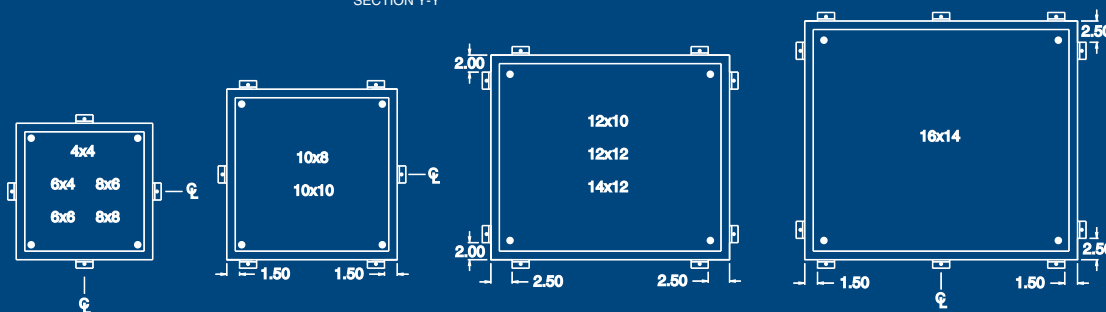
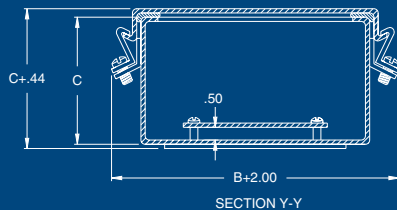
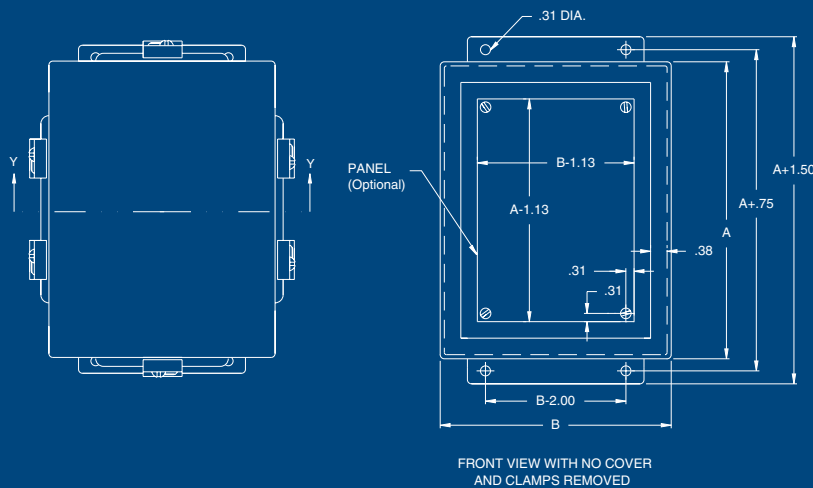
JIC NEMA 4 CLAMP COVER BOXES

Austin JIC Clamp Cover NEMA 4 (JFC) boxes are Underwriters Laboratories Listed and are designed for use as electrical junction boxes, terminal wiring boxes, and instruments housing. They are designed for indoor and outdoor use primarily to provide a degree of protection against windblown dust and rain, splashing water, hose directed water and damage from external ice formation.

Construction:

- Fabricated in accordance with UL specifications from 14 gauge steel.
- Continuously welded and ground smooth.
- Cover held in place by stainless steel external screw clamps all four sides.
- Neoprene gasket attached to cover with oil resistant adhesive.
- External mounting feet.
- Enclosures that are 6x4x3 and over have stand-offs provided for mounting optional panel.

Type 4, 12 & 13
Oiltight
Enclosures



Finish:

Austin JIC Clamp Cover NEMA 4 boxes are provided standard with an ANSI 61 gray polyester powder coating. Optional panels are painted white.

Options:

- Special materials.
- Special finishes.
- Custom box size or construction.

**INDUSTRY
STANDARDS**

UL 50 Type 4, 12 & 13
UL 508 Type 4, 12 & 13
NEMA Type 4, 12 & 13
CUL Type 4, 12 & 13

Austin Electrical Enclosures
Post Office Box 2320
Yadkinville, NC 27055

Phone: 336.468.2851
800.288.2851

JIC NEMA 4 CLAMP COVER BOXES

Catalog Number	Enclosure Size (AxBxC)	Weight	Panel Catalog Number
AB-443JFC	4x4x3	2	NA
AB-643JFC	6x4x3	3	AB-64JP
AB-863.5JFC	8x6x3 1/2	6	AB-86JP
AB-664JFC	6x6x4	4	AB-66JP
AB-1084JFC	10x8x4	9	AB-108JP
AB-12105JFC	12x10x5	12	AB-1210JP
AB-14126JFC	14x12x6	17	AB-1412JP
AB-16146JFC	16x14x6	21	AB-1614JP

Type 4, 12 & 13
Oiltight
Enclosures

