

# JIC OILTIGHT HINGE COVER TROUGHS

Austin JIC oiltight hinge cover troughs are Underwriters Laboratories Listed and are designed to provide a degree of protection against dust, dirt, oil, and water.

## Construction:

- Cover and body fabricated from 14 gauge steel.
- Cover held in place by external quick release clamps on one side and butt hinges on opposite side.
- Continuously welded ends and seams ground smooth.
- Neoprene gasket attached to cover with oil resistant adhesive.
- External mounting feet.

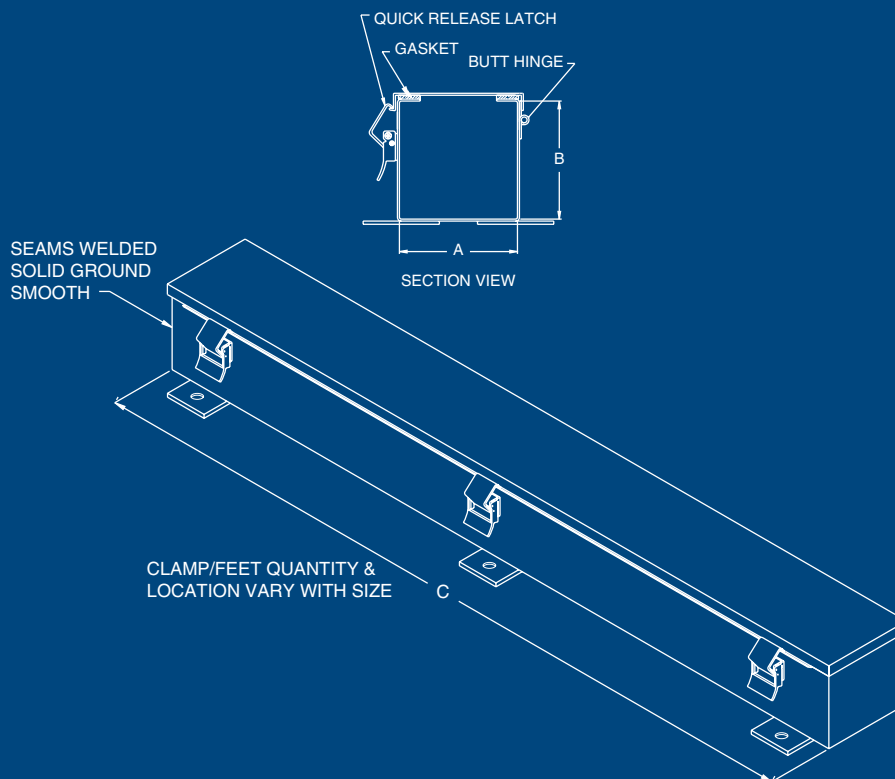
## Finish:

Austin JIC oiltight troughs are provided standard with an ANSI 61 gray polyester powder coating.

## Options:

- Special materials.
- Special finishes.
- Custom trough size or construction

Wireways  
& Trough  
Products



**INDUSTRY  
STANDARDS**

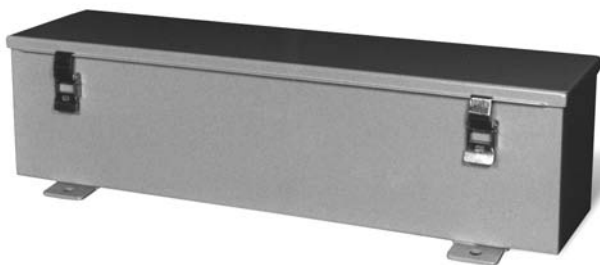
UL 870  
NEMA Type 12  
CUL 870

Austin Electrical Enclosures  
Post Office Box 2320  
Yadkinville, NC 27055

Phone: 336.468.2851  
800.288.2851

# JIC OILTIGHT HINGE COVER TROUGHS

Catalog Number	Trough Size (AxBxC)	Weight	Catalog Number	Trough Size (AxBxC)	Weight
AB-2212JTR	2 1/2x2 1/2x12	3	AB-6618JTR	6x6x18	12
AB-2218JTR	2 1/2x2 1/2x18	5	AB-6624JTR	6x6x24	16
AB-2224JTR	2 1/2x2 1/2x24	6	AB-6630JTR	6x6x30	19
AB-2230JTR	2 1/2x2 1/2x30	9	AB-6636JTR	6x6x36	23
AB-2236JTR	2 1/2x2 1/2x36	10	AB-6648JTR	6x6x48	29
AB-2248JTR	2 1/2x2 1/2x48	13	AB-6660JTR	6x6x60	32
AB-2260JTR	2 1/2x2 1/2x60	16	AB-6672JTR	6x6x72	43
AB-2272JTR	2 1/2x2 1/2x72	19			
AB-4412JTR	4x4x12	6	AB-8812JTR	8x8x12	13
AB-4418JTR	4x4x18	8	AB-8824JTR	8x8x24	23
AB-4424JTR	4x4x24	10	AB-8836JTR	8x8x36	32
AB-4430JTR	4x4x30	13	AB-8848JTR	8x8x48	40
AB-4436JTR	4x4x36	16	AB-8860JTR	8x8x60	49
AB-4448JTR	4x4x48	20			
AB-4460JTR	4x4x60	25	AB-121224JTR	12x12x24	34
AB-4472JTR	4x4x72	30	AB-121236JTR	12x12x36	49
			AB-121248JTR	12x12x48	60
AB-6612JTR	6x6x12	9	AB-121260JTR	12x12x60	73



Wireways  
& Trough  
Products