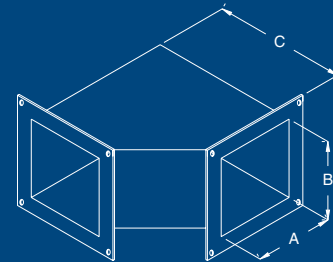
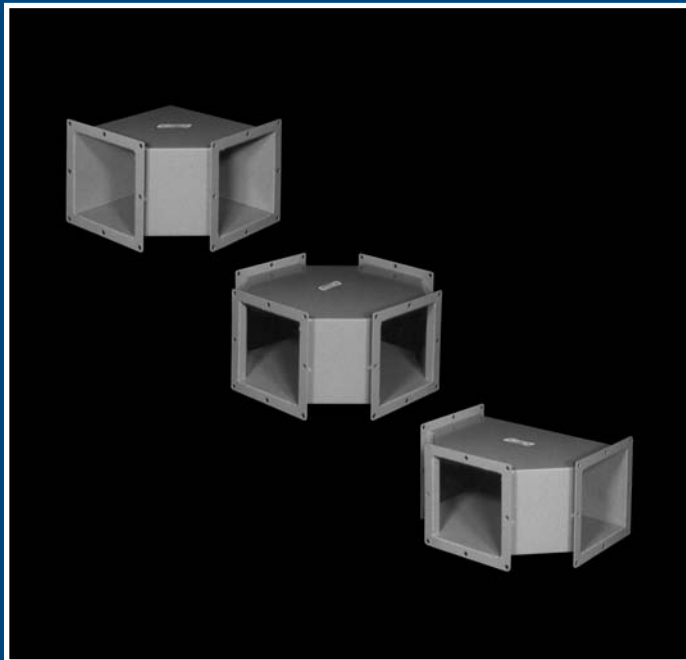
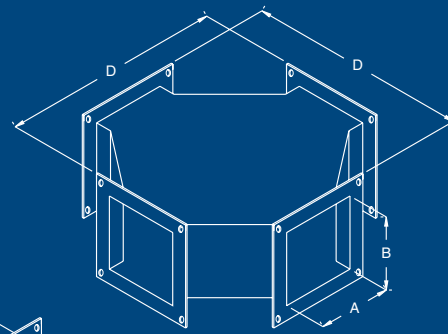


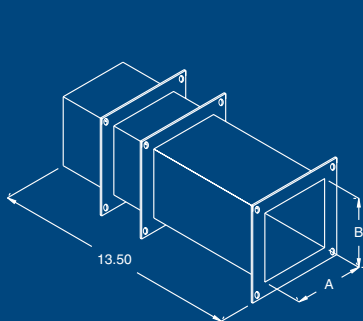
JIC PULL-THROUGH WIREWAY FITTINGS



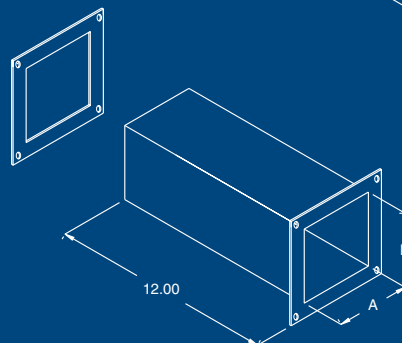
90° ELBOW
Allows a wireway run to turn at a 90° angle



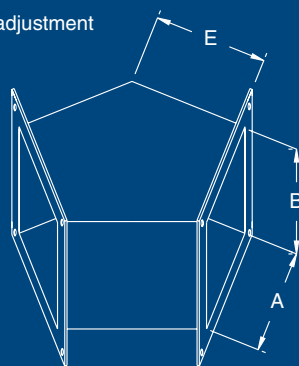
CROSS
Allows runs of wireway to intersect and cross or split off at 90° angles



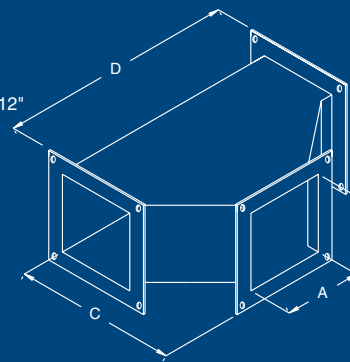
TELESCOPE
Allows easy adjustment for up to 12"



CUT-OFF FITTING
Allows user to cut off part of fitting and weld on flange to form a section between 1" and 12"



45° ELBOW
Similar to a 90° elbow but only makes a 45° turn

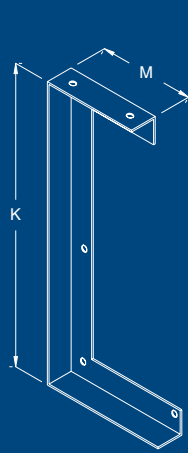


TEE
Allows runs of wireway to split off or come together at a 90° angle

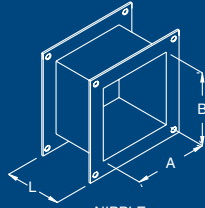
Wireways
& Trough
Products

JIC PULL-THROUGH WIREWAY FITTINGS

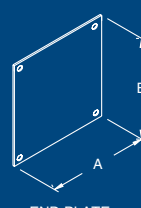
Wireway Size	A	B	C	D	E	F	G	K	M	R	S	T
2 1/2x2 1/2	2 1/2	2 1/2	6 1/2	10 1/2	3 3/8	NA	NA	11 3/4	4 5/8	4	4	4 1/2
4x4	4	4	8	12	4	2 1/2	2 1/2	13 1/4	6 1/8	5 1/2	5 1/2	6
6x6	6	6	10	14	4 7/8	4, 2 1/2	4, 2 1/2	15 1/4	8 1/8	7 1/2	5 1/2	8
8x8	8	8	12	16	5 5/8	6, 4, 2 1/2	6, 4, 2 1/2	19 1/4	10 1/8	9 1/2	5 1/2	10



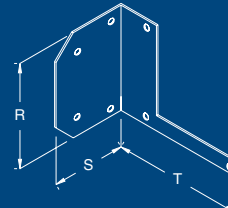
DROP HANGER
Allows a run of wireway to be suspended from the ceiling



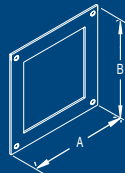
NIPPLE
Available in 1", 2", and 3" lengths



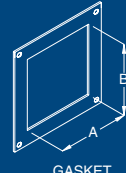
END PLATE
Used to close off the end of a wireway run



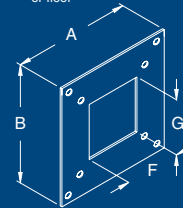
BRACKET HANGER
Allows a run of wireway to be attached to the wall, ceiling, or floor



BOX FITTING
Used when wireway enters an enclosure on the inside of the enclosure to provide a tight seal



GASKET
Neoprene gasket used to provide a water tight seal between sections of wireway or between sections of wireway and fittings



REDUCER
Allows reduction of a wireway run to a smaller wireway size

Wireways
& Trough
Products

