

JIC PULL-THROUGH WIREWAY NEMA 4X

Austin JIC Pull-Through NEMA 4X wireway is Underwriters Laboratories Listed and is designed to protect electrical wiring from dust, dirt, oil, and water.

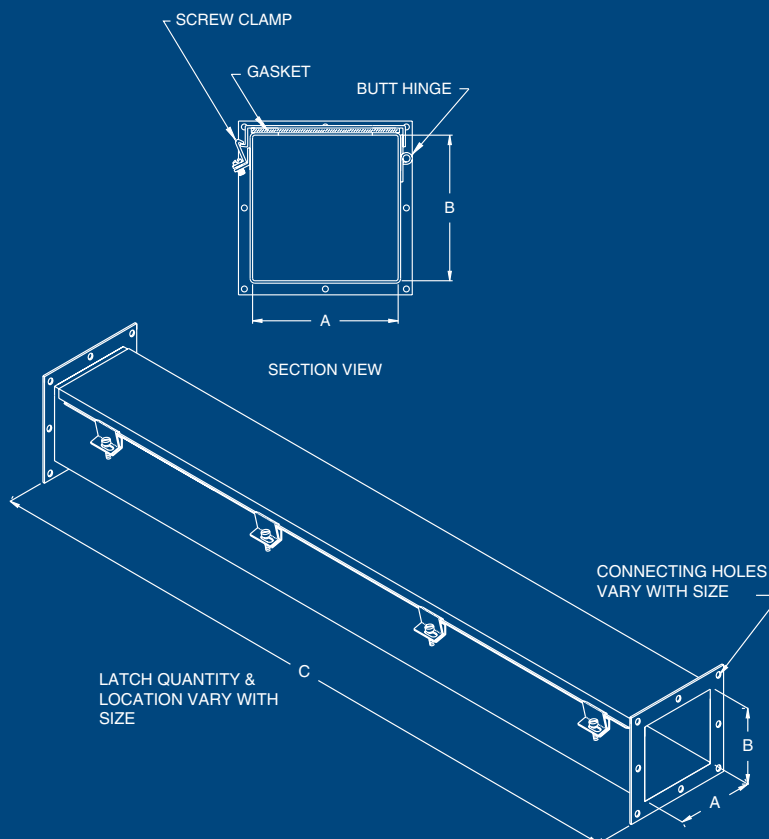
Construction:

- Fabricated in accordance with UL specifications from 14 gauge Type 304 stainless steel.
- Continuously welded seams.
- Neoprene gasket attached to cover with oil-resistant adhesive.
- Cover attached to body with heavy butt hinges and quick release clamps.
- One piece oil-resistant gasket is provided with each straight section and fitting for bolting sections together.

Finish:

Austin JIC Pull-Through 4X wireway is provided standard in Type 304 stainless steel.

Wireways
& Trough
Products



Options:

- Type 316 stainless steel

**INDUSTRY
STANDARDS**

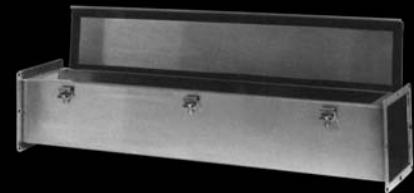
UL 870
NEMA Type 4, 4X & 12
CUL 870

Austin Electrical Enclosures
Post Office Box 2320
Yadkinville, NC 27055

Phone: 336.468.2851
800.288.2851

JIC PULL-THROUGH WIREWAY NEMA 4X

Catalog Number	Wireway Size (AxBxC) Description	Weight	Catalog Number	Wireway Size (AxBxC) Description	Weight
AB-4412JWFX	4x4x12	7	AB-6612JWFX	6x6x12	10
AB-4424JWFX	4x4x24	12	AB-6624JWFX	6x6x24	18
AB-4436JWFX	4x4x36	17	AB-6636JWFX	6x6x36	24
AB-4448JWFX	4x4x48	21	AB-6648JWFX	6x6x48	32
AB-4460JWFX	4x4x60	26	AB-6660JWFX	6x6x60	40
AB-44120JWFX	4x4x120	55	AB-66120JWFX	6x6x120	76
AB-44JL90X	90 Elbow	5	AB-66JL90X	90 Elbow	8
AB-44JL45X	45 Elbow	3	AB-66JL45X	45 Elbow	6
AB-44JTEX	Tee	6	AB-66JTEX	Tee	10
AB-44JXX	Cross	8	AB-66JXX	Cross	13
AB-44JTSX	Telescope	7	AB-66JTSX	Telescope	11
AB-42JRX	Reducer	1	AB-64JRX	Reducer	2
AB-44JBFX	Box Fitting	1	AB-66JBFX	Box Fitting	1
AB-44JCFX	Cut-off Fitting	6	AB-66JCFX	Cut-off Fitting	8
AB-44JN1X	Nipple 1"	2	AB-66JN1X	Nipple 1"	3
AB-44JN2X	Nipple 2"	2	AB-66JN2X	Nipple 2"	3
AB-44JN3X	Nipple 3"	2	AB-66JN3X	Nipple 3"	4
AB-44JBHX	Bracket Hanger	1	AB-66JBHX	Bracket Hanger	3
AB-44JDHX	Drop Hanger	1	AB-66JDHX	Drop Hanger	2
AB-44JEPX	End Plate	1	AB-66JEPX	End Plate	3
AB-44JG	Gasket		AB-66JG	Gasket	



Wireways
& Trough
Products