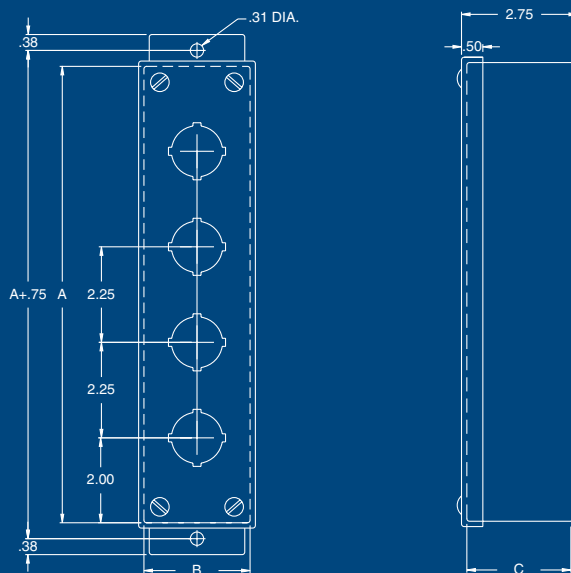


AUSTIN SLIM-LINE PUSHBUTTON ENCLOSURES

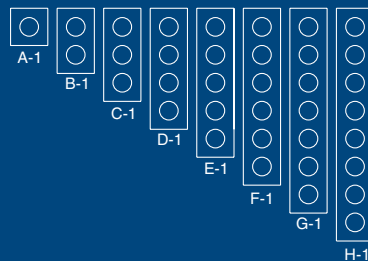
Austin slim-line pushbutton enclosures are Underwriters Laboratories Listed and are designed to house oiltight switches, pilot lights, and pushbutton switches where space is limited. They provide a degree of protection from dust, dirt, oil, and water.

Construction:

- Fabricated from 14 gauge steel.
- Cover is held in place by captivated screws threaded into sealed wells.
- Continuously welded seams and ground smooth.
- Neoprene gasket attached to cover with oil resistant adhesive.
- External mounting feet.
- Standard “4-way” 30mm pushbutton holes.



HOLE ARRANGEMENT



Note: G-1 has .5" added on each side of center hole.
H-1 has 1" added between the two center holes.

Finish:

Austin slim-line pushbutton enclosures are provided standard with as ANSI 61 gray polyester powder coating.

Options:

- Special materials.
- Special finishes.
- Custom box size or construction.
- “4-way” 22mm pushbutton holes.

Pushbutton Enclosures & Consoles

INDUSTRY STANDARDS

UL 50 **Types 4, 12 & 13**
NEMA **Types 4, 12 & 13**
CUL **Types 4, 12 & 13**

Austin Electrical Enclosures
Post Office Box 2320
Yadkinville, NC 27055

Phone: 336.468.2851
800.288.2851

AUSTIN SLIM-LINE PUSHBUTTON ENCLOSURES

Catalog Number	Enclosure Size (AxBxC)	Holes	Hole Arrangement	Weight
AB-A1MPB	3 7/8x2 1/2x2 3/8	1	A-1	1
AB-B1MPB	6 1/8x2 1/2x2 3/8	2	B-1	2
AB-C1MPB	8 3/8x2 1/2x2 3/8	3	C-1	2
AB-D1MPB	10 5/8x2 1/2x2 3/8	4	D-1	3
AB-E1MPB	12 7/8x2 1/2x2 3/8	5	E-1	3
AB-F1MPB	15 1/8x2 1/2x2 3/8	6	F-1	4
AB-G1MPB	18 3/8x2 1/2x2 3/8	7	G-1	4
AB-H1MPB	20 5/8x2 1/2x2 3/8	8	H-1	8

Pushbutton
Enclosures &
Consoles

